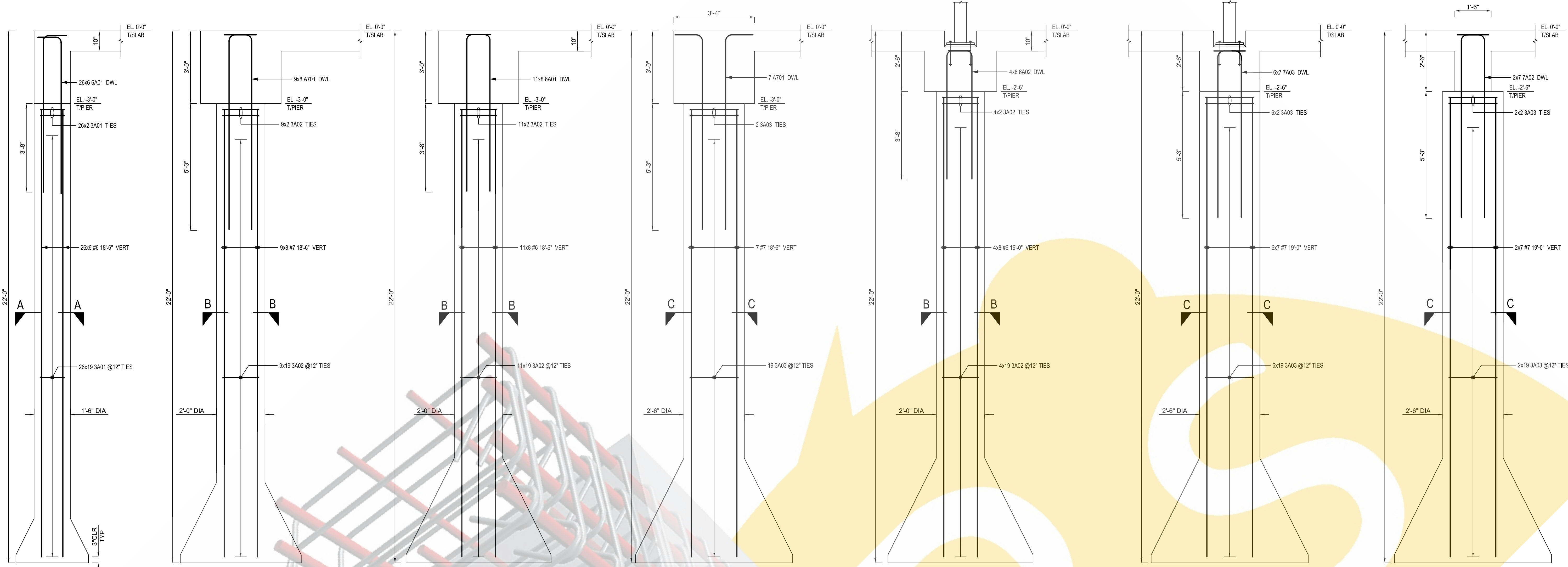


ONCE REBAR SERVICES



**PIER-P1**  
SCALE: 1/2"=1'-0"  
SDR: 1/5-3.1  
(26 LOC)

**PIER-P2**  
SCALE: 1/2"=1'-0"  
SDR: 1/5-3.1  
(9 LOC)

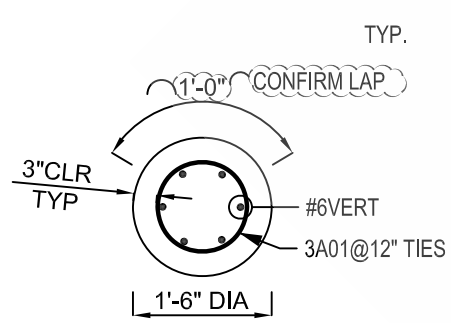
**PIER-P3**  
SCALE: 1/2"=1'-0"  
SDR: 1/5-3.1  
(11 LOC)

**PIER-P4**  
SCALE: 1/2"=1'-0"  
SDR: 1/5-3.1  
(11 LOC)

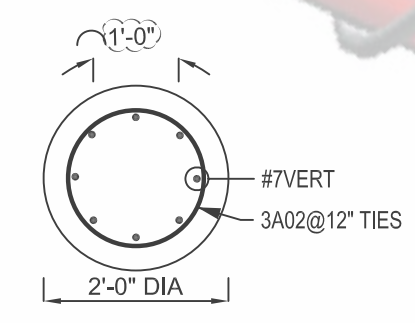
**PIER-P5**  
SCALE: 1/2"=1'-0"  
SDR: 1/5-3.1  
(4 LOC)

**PIER-P6**  
SCALE: 1/2"=1'-0"  
SDR: 1/5-3.1  
(6 LOC)

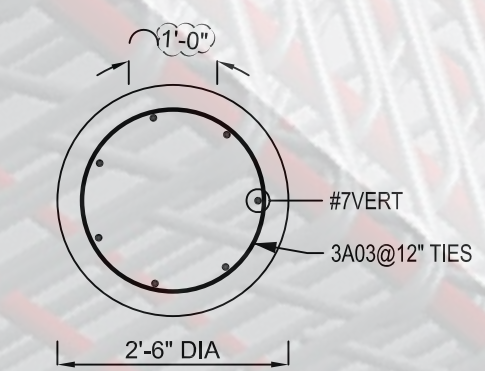
**PIER-P7**  
SCALE: 1/2"=1'-0"  
SDR: 1/5-3.1  
(2 LOC)



**SECTION A-A**  
SCALE: 1/2"=1'-0"  
SDR: 1/5-3.1



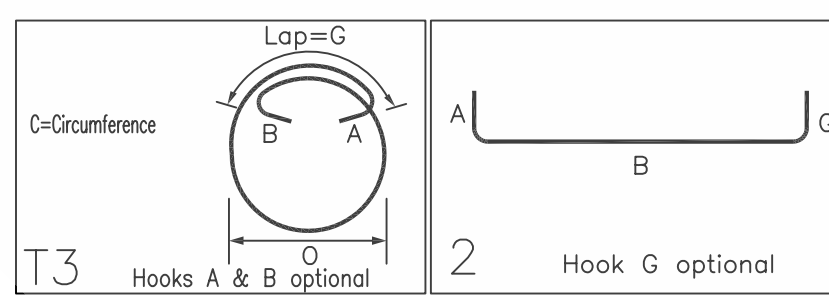
**SECTION B-B**  
SCALE: 1/2"=1'-0"  
SDR: 1/5-3.1



**SECTION C-C**  
SCALE: 1/2"=1'-0"  
SDR: 1/5-3.1

Release Number: R1.01-R1.02

BENDING DETAILS															
Bar Mark	Qty	Size	Total Length	Type	A'	B'	C'	D'	E'	F'	G'	H'	I'	J'	K'
3A01	546	#3	4'-1 1/2"	T3			3'-1 1/2"								
3A02	504	#3	5'-8 1/2"	T3			4'-8 1/2"								
3A03	189	#3	7'-3 1/2"	T3			6'-3 1/2"								
6A01	244	#6	7'-6"	2	1'-0"	6'-6"									
6A02	32	#6	6'-4"	2	1'-0"	5'-4"									
A701	79	#7	9'-3"	2	1'-2"	8'-1"									
7A02	14	#7	8'-9"	2	1'-2"	7'-7"									
7A03	42	#7	8'-1"	2	1'-2"	6'-11"									



ONCE REBAR SERVICES